

# TEMEL HİDROLİK

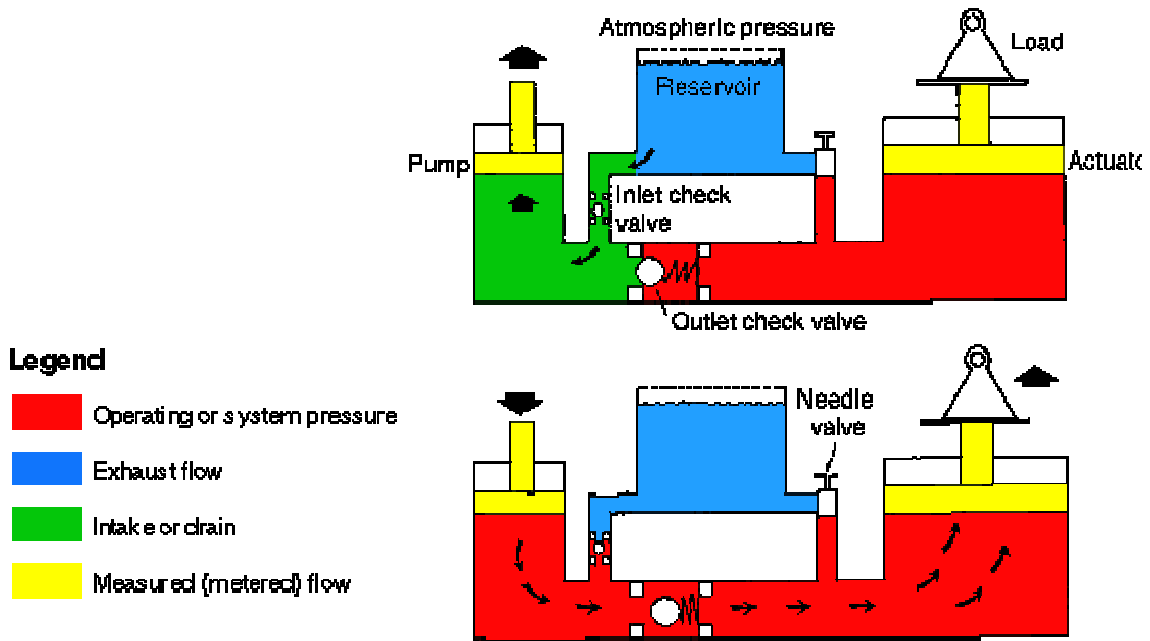


Figure 2-1. Hydraulic jack

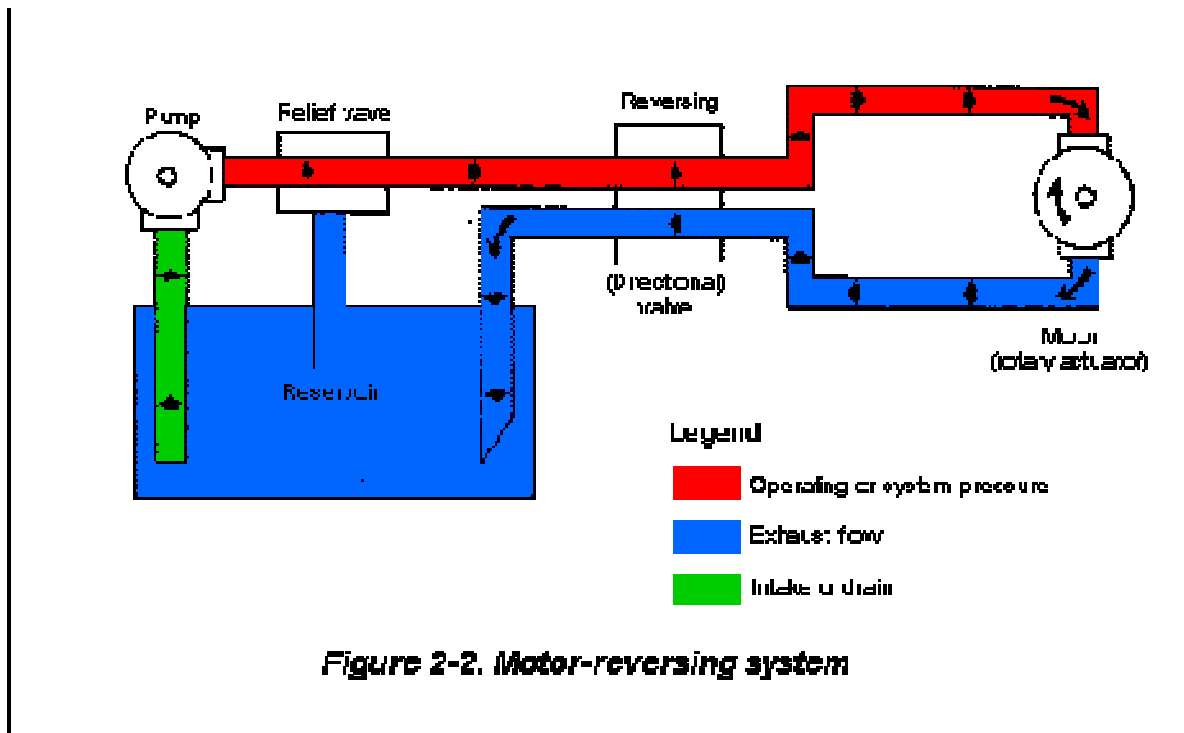
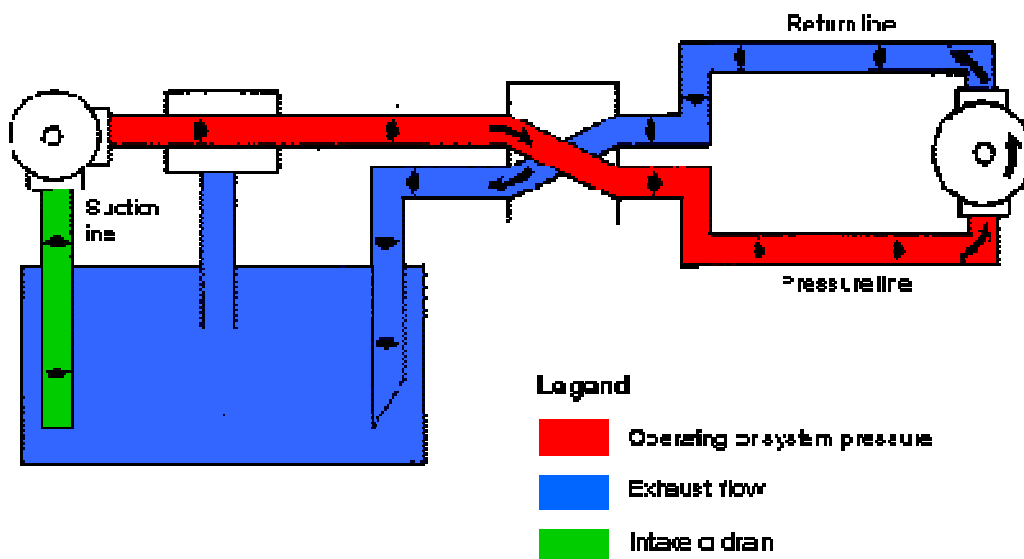
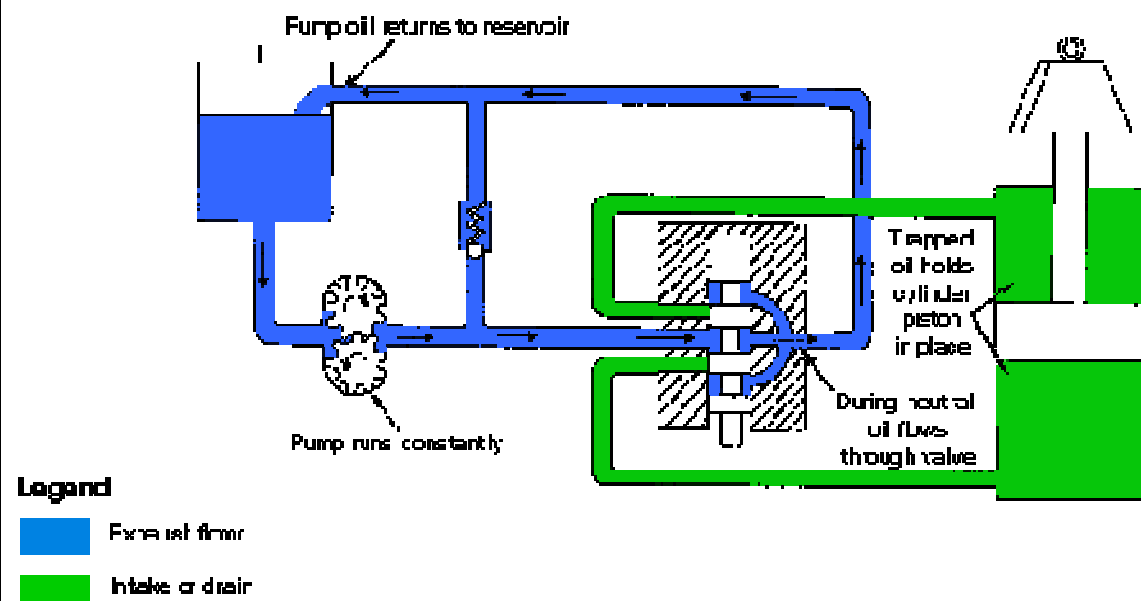


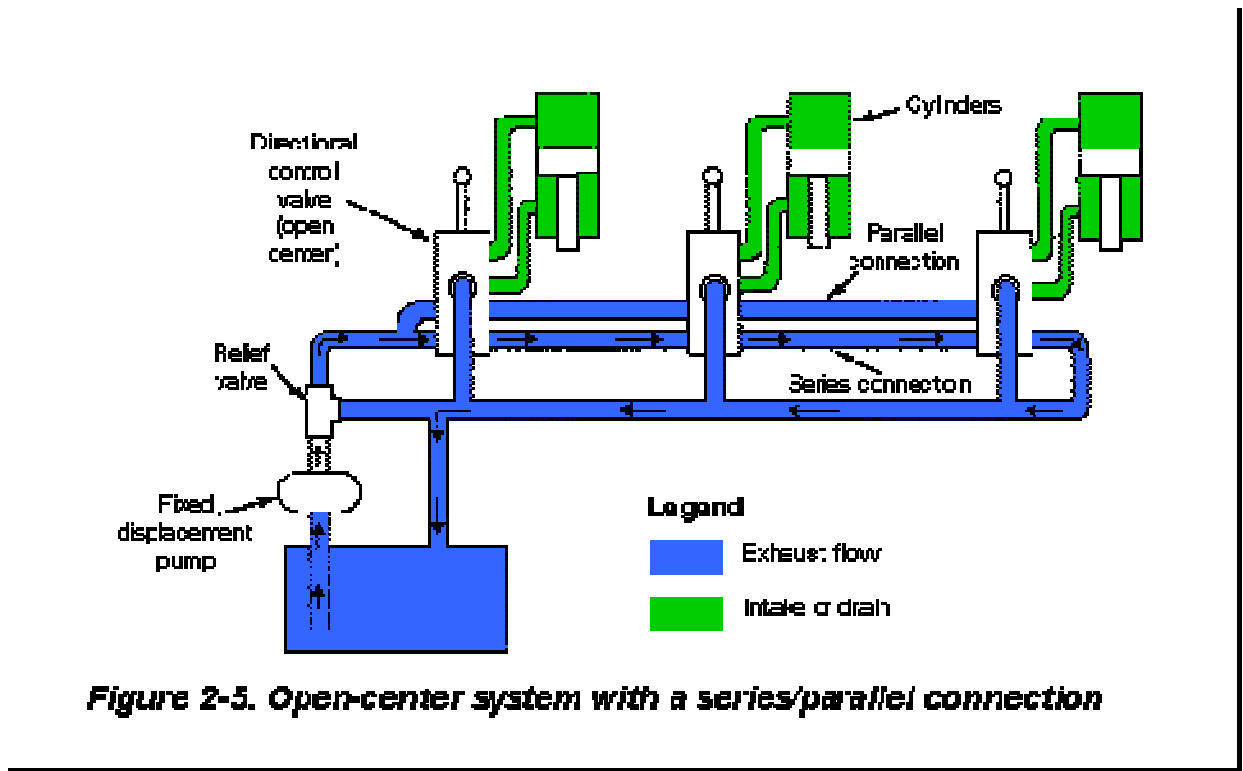
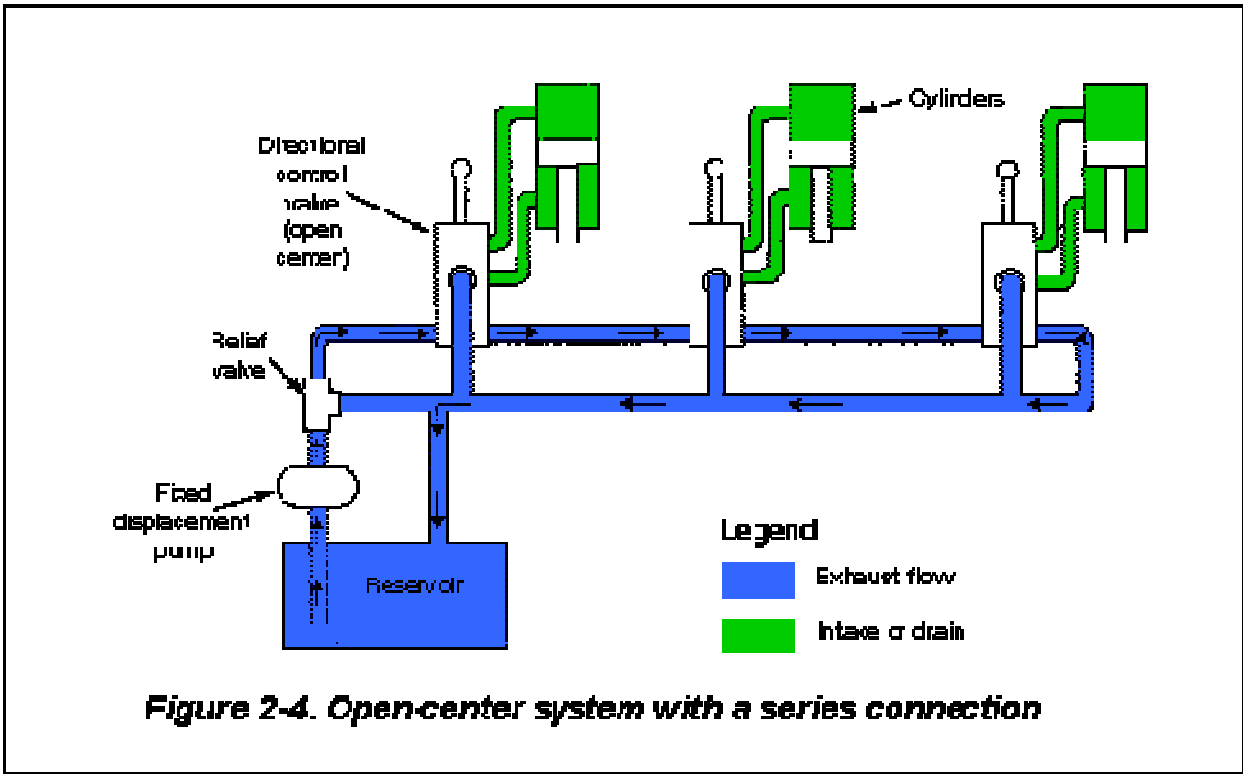
Figure 2-2. Motor-reversing system



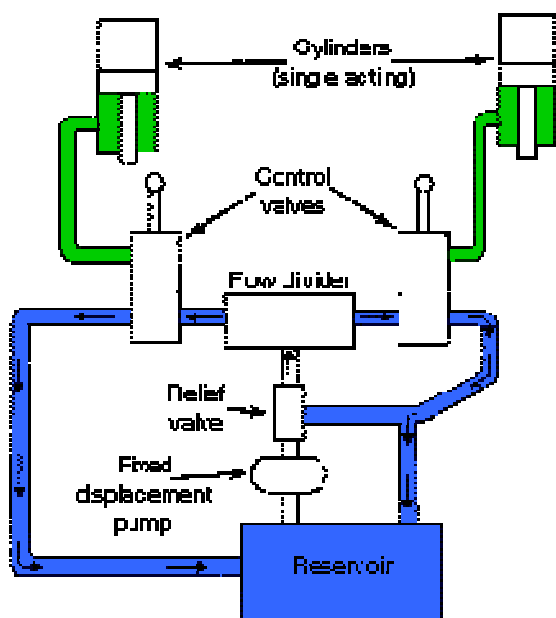
**Figure 2-2. Motor-reversing system (continued)**



**Figure 2-3. Open-center system**

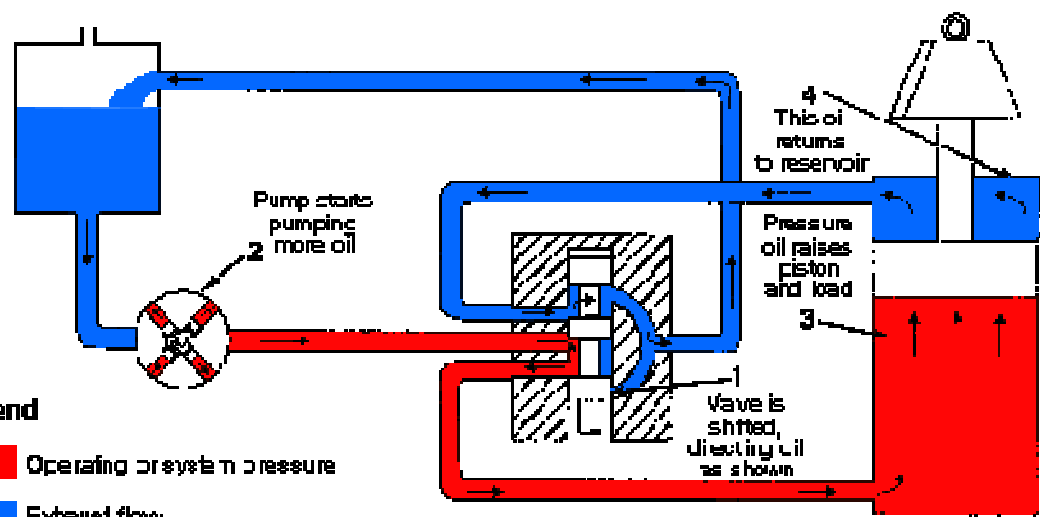


**Legend**  
█ Exhaust flow  
█ Intake or drain



**Figure 2-6. Open-center system with a flow divider**

**Legend**  
█ Operating or system pressure  
█ Exhaust flow



**Figure 2-7. Closed-center system**

